

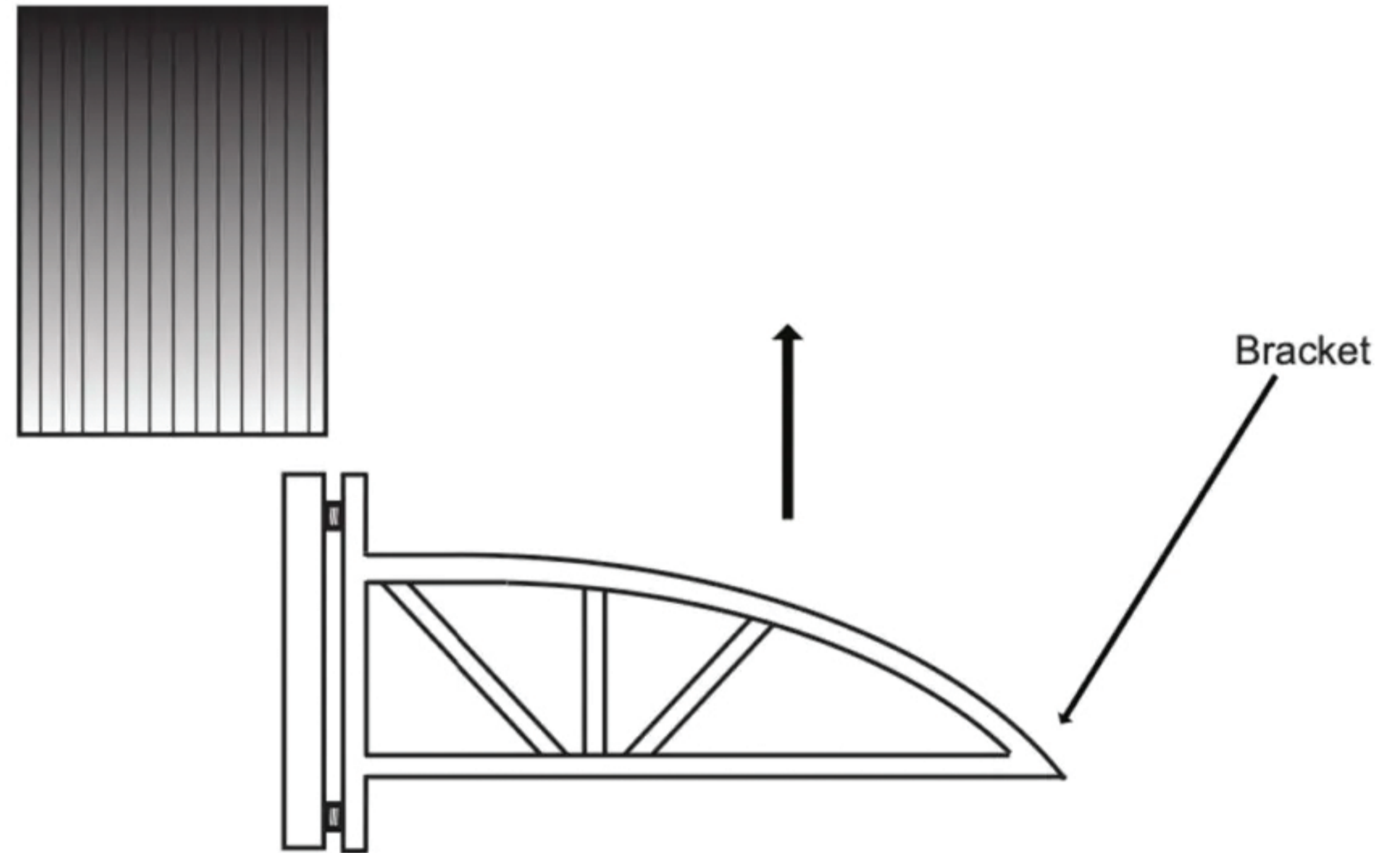
SOLID TECH

Mounting instructions for the Balance rack

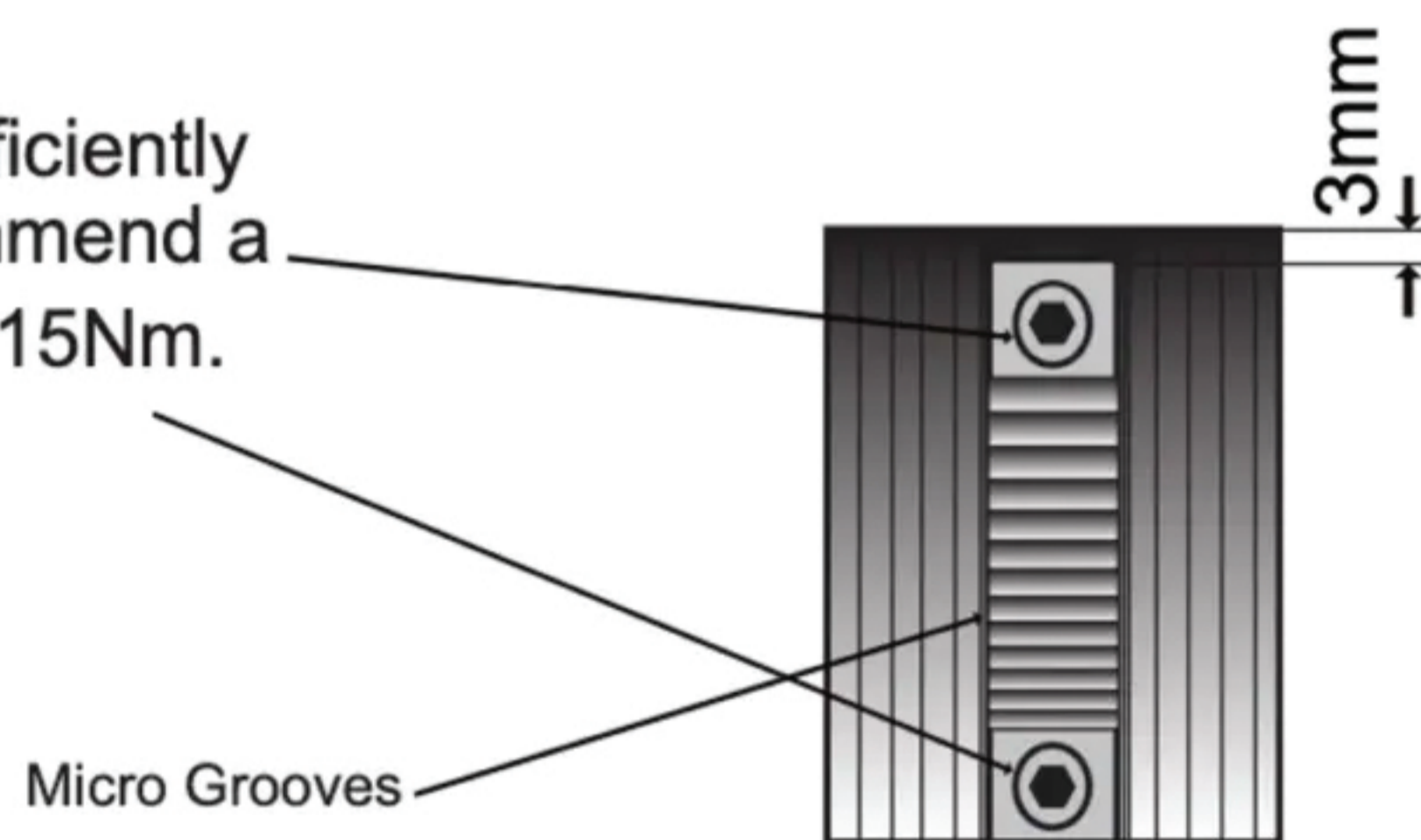
1. Shelf bracket assembly



Half of all corner pillars shall have the shelf bracket(s) mounted to the left (L) slot and the other half to the right (R) slot.



Screws must be sufficiently tightened, we recommend a tightening torque of 15Nm.



Leave the bracket 3mm from the top and fully aligned with the bottom according picture.

- Attach the spike or "Spike Fixed Floor Protector" to the foot
- Attach the stud bolt on top of the "shelf bracket assembly (stud bolt is found in the package of the corner pillars).

