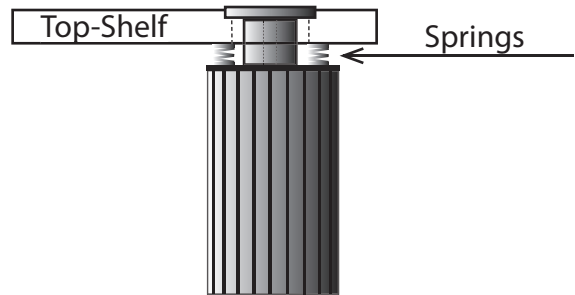
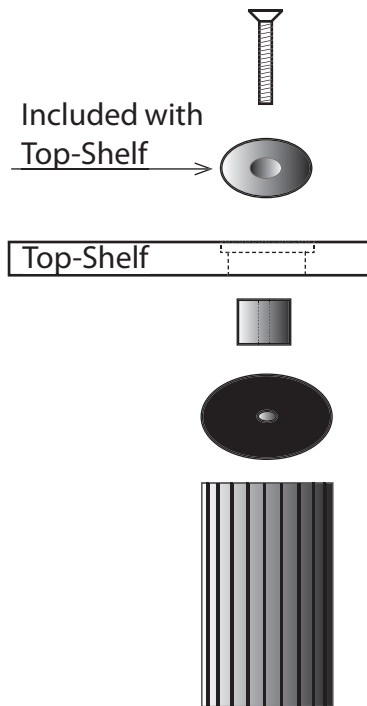
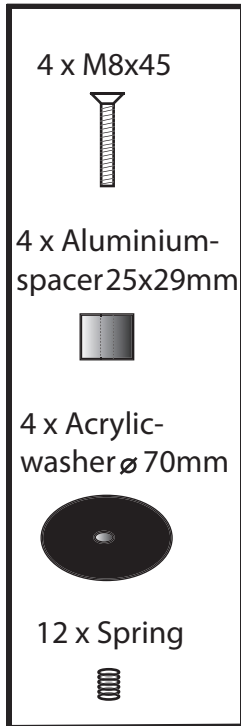


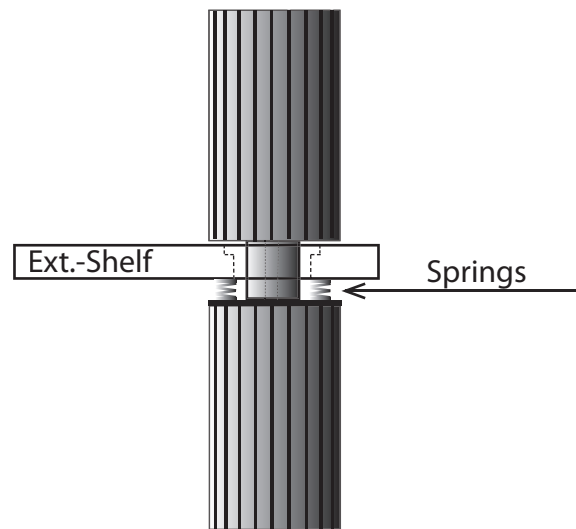
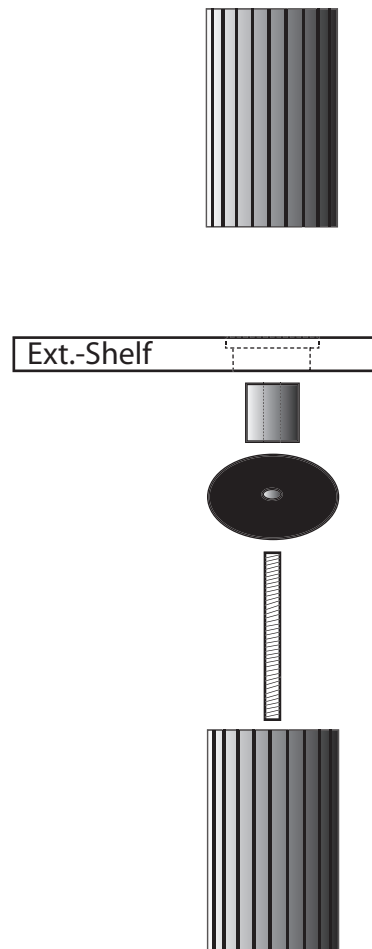
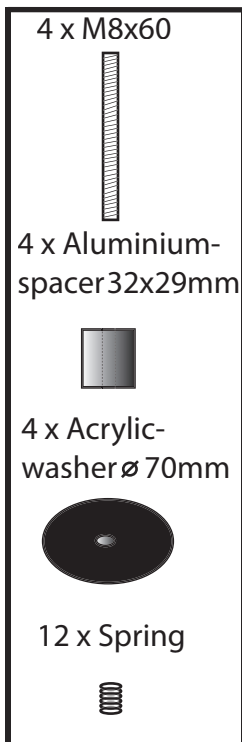
OPTION: SOLO-TOP-SHELF-SUSPENSION



When the assembly is completed, add the required amount of springs between the acrylic washer and the shelf.

IMPORTANT! Optimum isolation-characteristics are obtained when the load compress the springs to a length of 8-9mm.

OPTION: SOLO-EXTENSION-SHELF-SUSPENSION



When the assembly is completed, add the required amount of springs between the acrylic washer and the shelf.

IMPORTANT! Optimum isolation-characteristics are obtained when the load compress the springs to a length of 8-9mm.